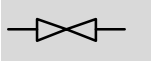


Ball valves QH/QHS

Technical data

FESTO

QH/QHS



- - Standard nominal flow rate
148 ... 560 l/min
- - Temperature range
0 ... +60 °C
- - Operating pressure
-1 ... 10 bar

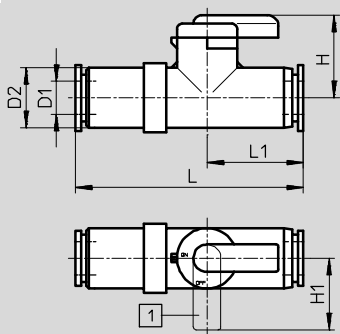


General technical data					
Type	QH			QHS, bulkhead fitting	
Pneumatic connection 1	QS-4	QS-6	R ¹ / ₈	QS-6	
Pneumatic connection 2	QS-4	QS-6	QS-4	QS-6	QS-6
Nominal width [mm]	2.5	4	2.5	2.5	4
Design	Ball valve				
Type of mounting	In-line installation		Screw-in		Via lock nut
Mounting position	Any				
Valve function	2/2-way valve, bistable				
Type of actuation	Manual				
Sealing principle	Soft				

Operating and environmental conditions	
Operating pressure [bar]	-1 ... 10
Operating medium	Compressed air according to ISO 8573-1:2010 [7:-:-]
Note on operating/pilot medium	Lubricated operation possible (in which case lubricated operation will always be required)
Ambient temperature [°C]	0 ... +60

Materials	
Housing	PBT
Note on materials	RoHS-compliant

Dimensions – Push-in connector at both ends Download CAD data → www.festo.com



1 Closed position

Type	D1 ∅	D2 ∅	H	H1	L	L1
QH-QS-4	4	11	15	13	38	17
QH-QS-6	6				41.5	17.5

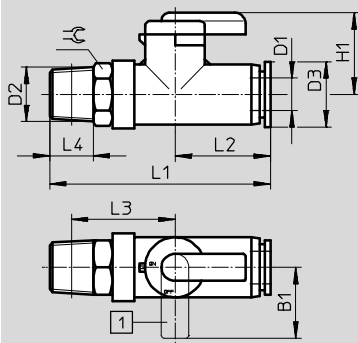
Ball valves QH/QHS

Technical data

FESTO

Dimensions – Male thread/push-in connector

Download CAD data → www.festo.com

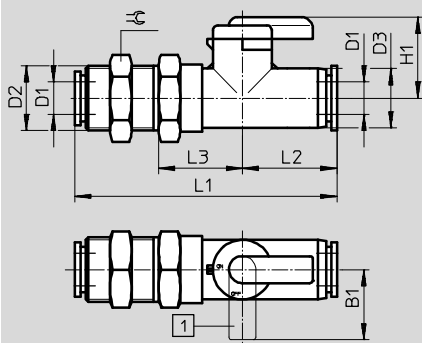


1 Closed position

Type	B1	D1 Ø	D2	D3 Ø	H1	L1	L2	L3	L4	≅
QH-QS-4-1/8	13	4	R1/8	11	15	41.5	17	20	8	10
QH-QS-6-1/8		6				42	17.5			

Dimensions – Bulkhead fitting, push-in connector at both ends

Download CAD data → www.festo.com



1 Closed position

Type	B1	D1 Ø	D2	D3 Ø	H1	L1	L2	L3	≅
QHS-QS-6	13	6	M12x1	11	15	48.5	17.5	15.5	14

Ordering data

Version		Pneumatic connection		Standard nominal flow rate qnN	Weight	Part No.	Type
		1	2	[l/min]	[g]		
2/2-way valve							
	Push-in connector at both ends	QS-4	QS-4	148	12	153483	QH-QS-4
		QS-6	QS-6	533	12.5	153484	QH-QS-6
	Male thread/push-in connector	R1/8	QS-4	235	14	153486	QH-QS-4-1/8
			QS-6	560	15	153487	QH-QS-6-1/8
	Bulkhead fitting, push-in connector at both ends	QS-6	QS-6	528	16.5	153485	QHS-QS-6