

Pressure and differential pressure regulators




Pressure and differential pressure regulators

Features

FESTO



Pressure regulators LR, LRMA


-  - Flow rate
22 ... 127 l/min

- With threaded and push-in connector
- Screw-in thread
M5, R $\frac{1}{8}$, R $\frac{1}{4}$
- Push-in connector
for tubing O.D. 4 ... 8 mm
- Push-in connector, can be rotated
360°

The pressure regulator maintains an essentially constant output pressure on the secondary side independent of pressure fluctuations on the primary side and air consumption.

The primary pressure at the screw-in thread is reduced when air is exhausted from the QS push-in connector.

Differential pressure regulators LRL, LRL-...

-  - Flow rate
30 ... 760 l/min

- With threaded and push-in connector
- Screw-in thread
M5, R $\frac{1}{8}$, R $\frac{1}{4}$, R $\frac{3}{8}$, R $\frac{1}{2}$
- Push-in connector
for tubing O.D. 4 ... 12 mm
- Push-in connector, can be rotated
360°

The differential pressure regulator maintains a manually adjusted differential pressure between the primary pressure at the screw-in thread and the output pressure at the QS push-in connector.

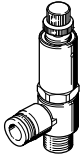
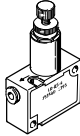
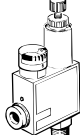
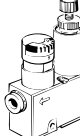
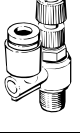

Pressure applied at the QS push-in connector can be exhausted with no change in pressure at the thread connection end thanks to an integrated non-return valve.

-  - Note

The differential pressure regulator has no exhaust, i.e. increasing secondary pressure cannot be reduced.

Pressure and differential pressure regulators

Product range overview

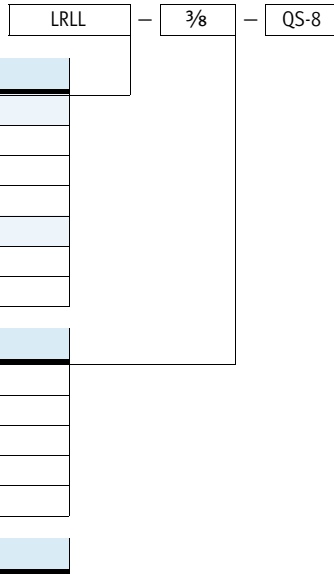
Function	Design	Type	Pneumatic connection					→ Page/Internet	
			Thread	For tubing O.D. [mm]					
				4	6	8	10		12
Pressure regulating valve without pressure gauge	With QS push-in connector and screw-in thread								
		LR-...-QS-...	M5	■	■	-	-	-	5
			R1/8	■	■	■	-	-	
			R1/4	-	■	■	-	-	
	With QS push-in connector at both ends								
		LR-QS-...	-	■	■	■	-	-	5
Pressure regulator with pressure gauge	With QS push-in connector and screw-in thread								
		LRMA-...-QS-...	M5	■	■	-	-	-	9
			R1/8	■	■	■	-	-	
			R1/4	-	■	■	-	-	
	With QS push-in connector at both ends								
		LRMA-QS-...	-	■	■	■	-	-	9
Differential pressure regulator without pressure gauge	With QS push-in connector at top and screw-in thread								
		LRL-...-QS-...	M5	■	■	-	-	-	12
			R1/8	■	■	■	-	-	
			R1/4	-	■	■	■	-	
			R3/8	-	-	■	■	■	
			R1/2	-	-	-	-	■	
	With QS push-in connector on side and screw-in thread								
		LRL-...-QS-...	M5	■	■	-	-	-	12
			R1/8	■	■	■	-	-	
			R1/4	-	■	■	■	-	
		R3/8	-	-	■	■	■		
		R1/2	-	-	-	-	■		

1) Tubing → www.festo.com

Pressure and differential pressure regulators

Type codes

FESTO

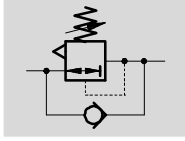



Type	
Pressure regulator	
LR	Without pressure gauge
LRMA	With pressure gauge
Differential pressure regulator	
LRL	Outlet on top
LRL	Outlet on the side
Screw-in thread	
M5	Metric thread M5
1/8	Pipe thread R1/8
1/4	Pipe thread R1/4
3/8	Pipe thread R3/8
1/2	Pipe thread R1/2
Tubing connection	
Type of connection	
QS	Push-in connector for standard O.D. tubing
For tubing O.D.	
4	4 mm
6	6 mm
8	8 mm
10	10 mm
12	12 mm

Pressure regulators LR

Technical data

Function



-  - Flow rate
22 ... 127 l/min

- Minimal dimensions
- Constant output pressure
- Version without pressure gauge
- Screw-in thread M5 ... R1/4 or push-in connector Ø 4 ... 8 mm



General technical data		
Design	Directly actuated piston regulator with through pressure supply	
Regulating function	With secondary venting, output pressure constant	
Actuator lock	Knurled screw with lock nut	
Mounting position	Any	
With QS push-in connector and metric thread with sealing ring		
Type of mounting	Can be screwed in	
Materials	Housing	Polybutylene terephthalate
	Threaded plug	Nickel plated brass
With QS push-in connector and PTFE-coated pipe thread		
Type of mounting	Can be screwed in	
Materials	Housing	Polybutylene terephthalate
	Threaded plug	Nickel plated brass
	Threaded seal	Polytetrafluoroethylene
With QS push-in connector at both ends		
Type of mounting	Via through-holes	
Materials	Housing	Polybutylene terephthalate

Operating and environmental conditions		
Operating medium	Compressed air in accordance with ISO 8573-1:2010 [7:-:-]	
Input pressure	[bar]	0 ... 9
Pressure regulation range	[bar]	1 ... 8
Ambient temperature	[°C]	0 ... 60

Pressure regulators LR

Technical data

Weights [g]			
Screw-in thread	M5	R $\frac{1}{8}$	R $\frac{1}{4}$
With QS push-in connector and metric thread with sealing ring			
QS-4	16	–	–
QS-6	16	–	–
With QS push-in connector and PTFE-coated pipe thread			
QS-4	–	32.5	–
QS-6	–	33.5	54
QS-8	–	35	55

Weights [g]	
With QS push-in connector at both ends	
QS-4	33
QS-6	33
QS-8	56

Standard nominal flow rate [l/min]			
Screw-in thread	M5	R $\frac{1}{8}$	R $\frac{1}{4}$
With QS push-in connector and metric thread with sealing ring			
QS-4	22	–	–
QS-6	41	–	–
With QS push-in connector and PTFE-coated pipe thread			
QS-4	–	46	–
QS-6	–	63	98
QS-8	–	69	101

Standard nominal flow rate [l/min]	
With QS push-in connector at both ends	
QS-4	67
QS-6	70
QS-8	127

Pressure regulators LR

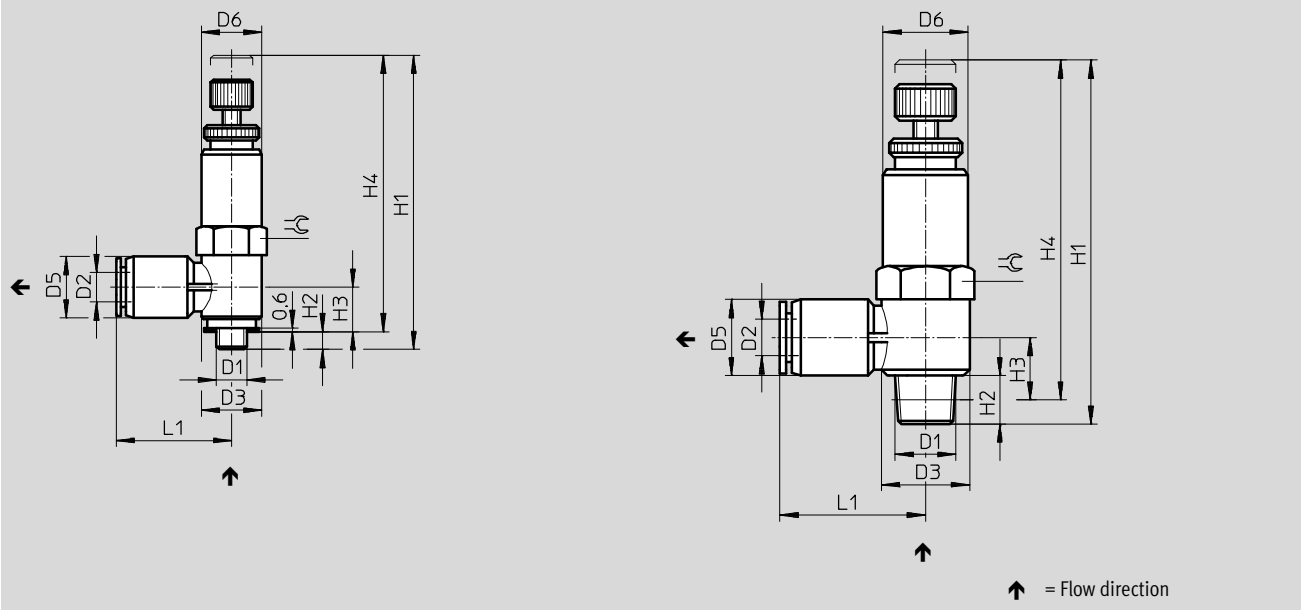
Technical data

Dimensions

Download CAD data → www.festo.com

With QS push-in connector and screw-in thread M5

With QS push-in connector and screw-in thread R $\frac{1}{8}$, R $\frac{1}{4}$



Screw-in thread D1	D2 Ø	D3 Ø	D5 Ø	D6 Ø	H1		H2	H3	H4		L1	=
					min.	max.			min.	max.		
M5	4	9.8	8	10	44.6	48.75	2.9	7.6	41.7	45.8	16	10
	6	9.8	10.5	10	44.6	48.7	2.9	8.4	41.7	45.8	17.8	10
R $\frac{1}{8}$	4	14.4	10	14	56	60	7.8	10.5	52	56	21.4	14
	6	14.4	12.4	14	56	60	7.8	10.7	52	56	23.5	14
	8	14.4	14.4	14	56	60	7.8	11.7	52	56	26.9	14
R $\frac{1}{4}$	6	18.4	12.4	17	60.8	64.8	11.3	12.2	54.8	58.8	25.5	17
	8	18.4	14.4	17	60.8	64.8	11.3	13.2	54.8	58.8	28.4	17

Pressure regulators LR

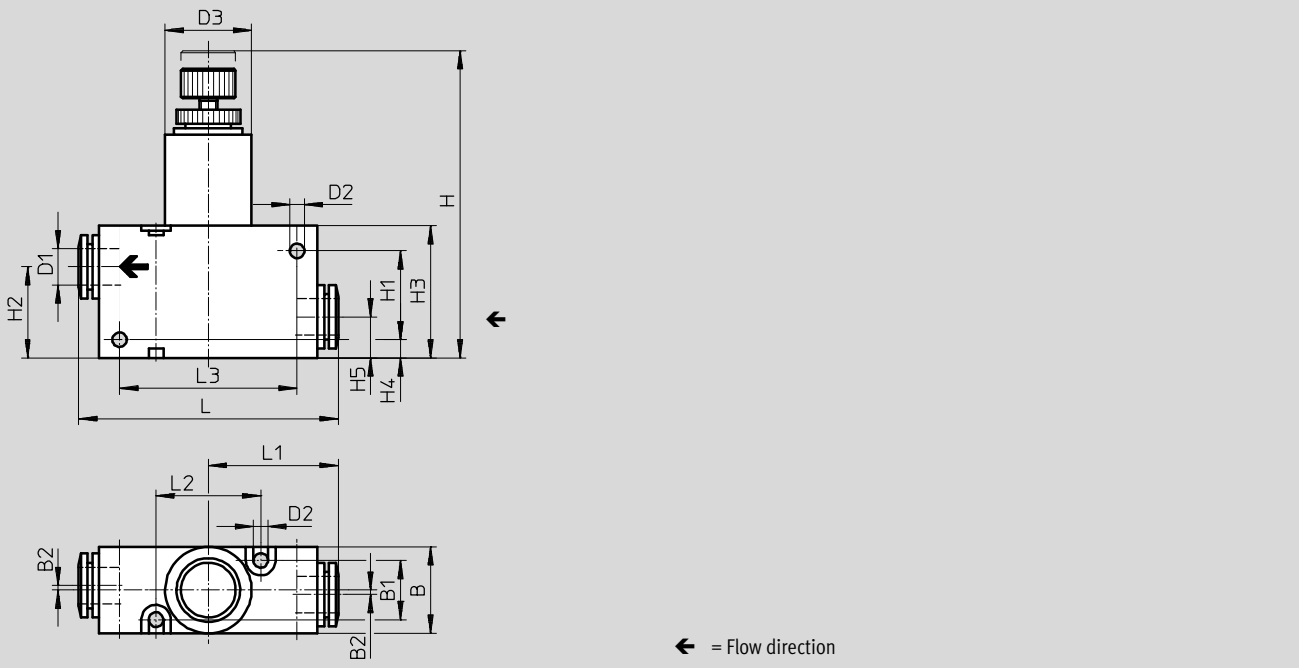
Technical data

FESTO

Dimensions

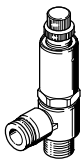
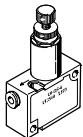
Download CAD data → www.festo.com

With QS push-in connector at both ends



Push-in connector	B	B1	B2	D1 Ø	D2 Ø	D3 Ø	H		H1	H2	H3	H4	H5	L	L1	L2	L3
							min.	max.									
QS-4	15	9	1	4	3.2	15	59	63	17	19	25	4	9	44	22	20	30
QS-6				6			45	22.5									
QS-8	19	13	1	8	3.2	19	63.5	67.5	21	21	29	4	9	57	28.5	23	39

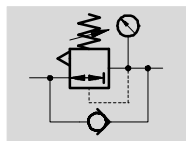
Ordering data

	Description	Screw-in thread	For tubing O.D. [mm]	Part No.	Type
	With QS push-in connector and metric thread with sealing ring	M5	4	153532	LR-M5-QS-4
			6	153533	LR-M5-QS-6
	With QS push-in connector and PTFE-coated pipe thread	R ¹ / ₈	4	153534	LR- ¹ / ₈ -QS-4
			6	153535	LR- ¹ / ₈ -QS-6
			8	153536	LR- ¹ / ₈ -QS-8
			R ¹ / ₄	6	153537
8	153538	LR- ¹ / ₄ -QS-8			
	With QS push-in connector at both ends	-	4	153540	LR-QS-4
			6	153541	LR-QS-6
			8	153542	LR-QS-8


Pressure regulators LRMA, with pressure gauge

Technical data

Function



- Minimal dimensions
- Constant output pressure
- Version with pressure gauge
- Screw-in thread M5 ... R $\frac{1}{4}$ or push-in connector \varnothing 4 ... 8 mm

-  Flow rate
36 ... 124 l/min



General technical data		
Design	Directly actuated piston regulator with through pressure supply	
Regulating function	With secondary venting, output pressure constant	
Actuator lock	Knurled screw with lock nut	
Mounting position	Any	
With QS push-in connector and metric thread with sealing ring		
Type of mounting	Can be screwed in	
Materials	Housing	Polybutylene terephthalate
	Threaded plug	Nickel plated brass
With QS push-in connector and PTFE-coated pipe thread		
Type of mounting	Can be screwed in	
Materials	Housing	Polybutylene terephthalate
	Threaded plug	Nickel plated brass
	Threaded seal	Polytetrafluoroethylene
With QS push-in connector at both ends		
Type of mounting	Via through-holes	
Materials	Housing	Polybutylene terephthalate

Operating and environmental conditions		
Operating medium	Compressed air in accordance with ISO 8573-1:2010 [7:-:-]	
Input pressure	[bar]	0 ... 9
Pressure regulation range	[bar]	1 ... 8
Ambient temperature	[°C]	0 ... 60

Weights [g]			
Screw-in thread	M5	R $\frac{1}{8}$	R $\frac{1}{4}$
With QS push-in connector and metric thread with sealing ring			
QS-4	28	-	-
QS-6	28	-	-
With QS push-in connector and PTFE-coated pipe thread			
QS-4	-	54.5	-
QS-6	-	54.5	55
QS-8	-	83.5	83.5

Weights [g]	
With QS push-in connector at both ends	
QS-4	45
QS-6	45
QS-8	68

Pressure regulators LRMA, with pressure gauge

Technical data

FESTO

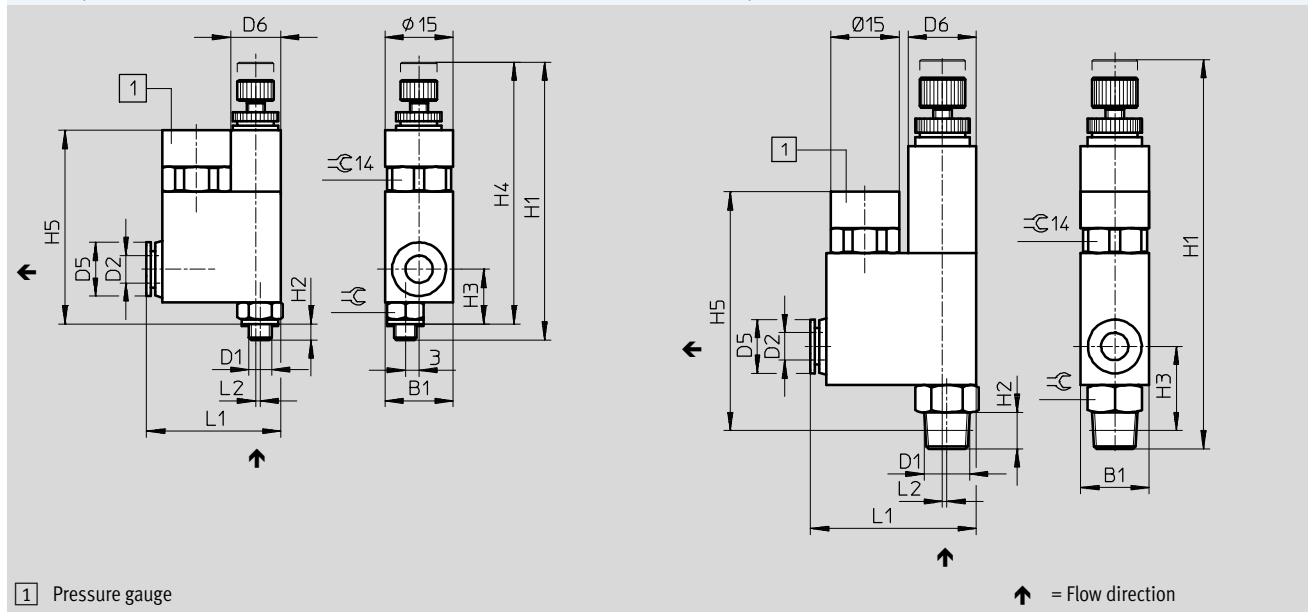
Standard nominal flow rate [l/min]			
Screw-in thread	M5	R $\frac{1}{8}$	R $\frac{1}{4}$
With QS push-in connector and metric thread with sealing ring			
QS-4	36	-	-
QS-6	42	-	-
With QS push-in connector and PTFE-coated pipe thread			
QS-4	-	60	-
QS-6	-	75	96
QS-8	-	87	97

Standard nominal flow rate [l/min]	
With QS push-in connector at both ends	
QS-4	50
QS-6	76
QS-8	124

Dimensions Download CAD data → www.festo.com

With QS push-in connector and screw-in thread M5

With QS push-in connector and screw-in thread R $\frac{1}{8}$, R $\frac{1}{4}$



Screw-in thread D1	D2 Ø	B1	D5 Ø	D6 Ø	H1		H2	H3	H4		H5	L1	L2	≙
					min.	max.			min.	max.				
M5	4	15.1	9.8	11	57.1	61.2	3.5	11.8	53.6	57.7	42.8	28	1.1	8
	6	15.1	11.8	11	57.1	61.2	3.5	11.8	53.6	57.7	42.8	28.1	1.1	8
R $\frac{1}{8}$	4	15.1	10	15	77.5	81.5	8	18.5	-	-	51.5	36	0.5	12
	6	15.1	12	15	77.5	81.5	8	18.5	-	-	51.5	36.5	0.5	12
	8	15	14	15	77.5	81.5	8	18.5	-	-	51.5	36.5	1	12
R $\frac{1}{4}$	6	19	12	19	85.5	89.5	11	22.5	-	-	57	39.5	0.5	16
	8	19	14	19	85.5	89.5	11	22.5	-	-	57	39.5	1	16

Pressure regulators LRMA, with pressure gauge

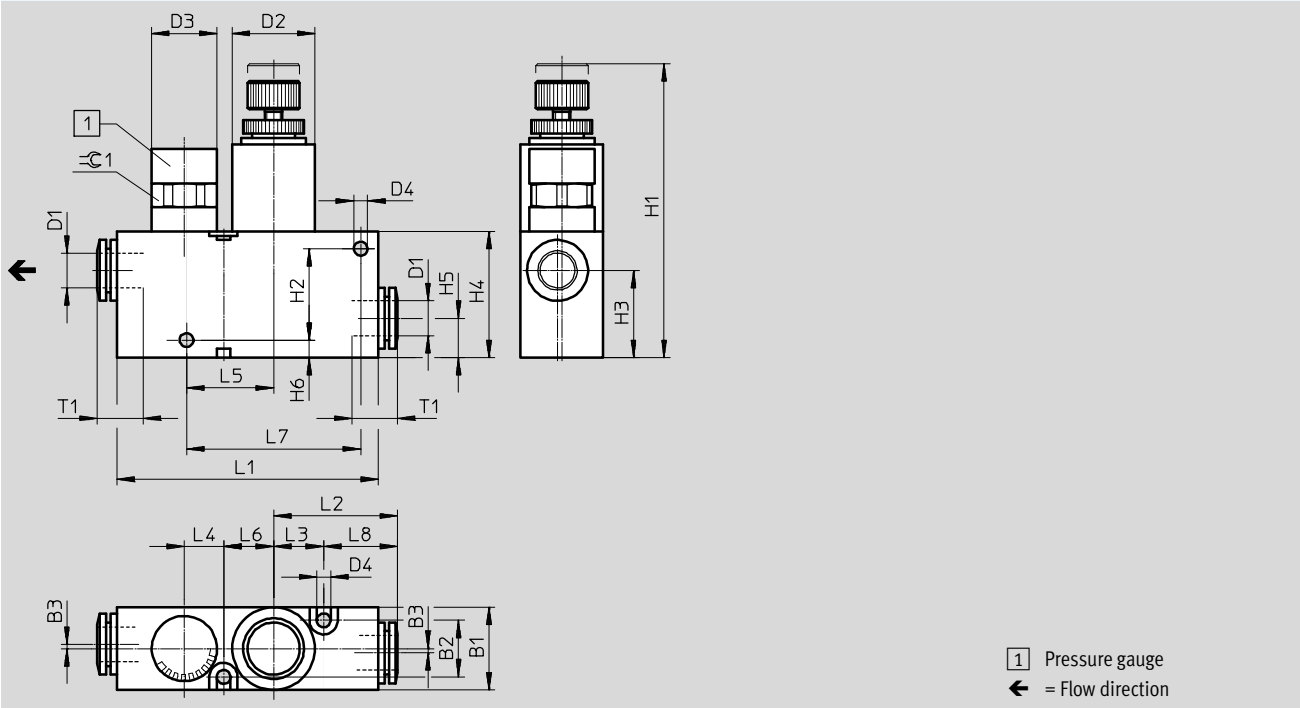
Technical data

FESTO

Dimensions

Download CAD data → www.festo.com

With QS push-in connector at both ends



Push-in connector	Connection D1 Ø	B1	B2	B3	D2 Ø	D3 Ø	D4 Ø	H1		H2	H3	H4
								min.	max.			
QS-4	4	15	9	1	15	15	3.2	59	63	17	19	25
QS-6	6							63.5	67.5			
QS-8	8	19	13	1	19	15	3.2	63.5	67.5	21	21	29

Push-in connector	H5	H6	L1	L2	L3	L4	L5	L6	L7	L8	T1	≈±1
QS-4	9	4	49.5	22.4	10	10	15	10	30	12.4	11.5	14
QS-6											12	
QS-8	9	4	59.7	28.5	11.5	9	19.6	11.5	39	17	18.5	14

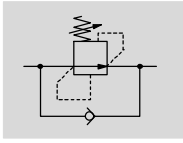
Ordering data

	Description	Screw-in thread	For tubing O.D.	Part No.	Type
			[mm]		
	With QS push-in connector and metric thread with sealing ring	M5	4	153488	LRMA-M5-QS-4
			6	153490	LRMA-M5-QS-6
	With QS push-in connector and PTFE-coated pipe thread	R ¹ / ₈	4	153489	LRMA- ¹ / ₈ -QS-4
			6	153491	LRMA- ¹ / ₈ -QS-6
			8	153493	LRMA- ¹ / ₈ -QS-8
			R ¹ / ₄	6	153492
8	153494	LRMA- ¹ / ₄ -QS-8			
	With QS push-in connector at both ends	-	4	153495	LRMA-QS-4
			6	153496	LRMA-QS-6
			8	153497	LRMA-QS-8

Differential pressure regulators LRL/LRLL

Technical data

Function



- Minimal dimensions
- Constant differential pressure between the input and output
- With screw-in thread M5 ... R1/2 or push-in connector Ø 4 ... 12 mm

- - Flow rate
30 ... 760 l/min



General technical data					
Pneumatic connection 1	M5	R1/8	R1/4	R3/8	R1/2
Pneumatic connection 2	QS-4, QS-6	QS-4, QS-6, QS-8	QS-6, QS-8, QS-10	QS-8, QS-10, QS-12	QS-12
Design	Directly actuated piston regulator with through pressure supply				
Regulating function	With return flow, differential pressure constant				
Type of mounting	Can be screwed in				
Mounting position	Any				
Actuator lock	Knurled screw with lock nut				
Pressure regulation range [bar]	2 ... 6				

Operating and environmental conditions	
Input pressure [bar]	0 ... 9
Operating medium	Compressed air in accordance with ISO 8573-1:2010 [7:-:-]
Note on operating/pilot medium	Operation with lubricated medium possible (in which case lubricated operation will always be required)
Ambient temperature [°C]	0 ... +60

Standard nominal flow rate [l/min]										
Screw-in thread	M5		R1/8		R1/4		R3/8		R1/2	
	open	closed	open	closed	open	closed	open	closed	open	closed
LRL, outlet on top										
QS-4	30	30	96	93	-	-	-	-	-	-
QS-6	30	30	115	115	241	240	-	-	-	-
QS-8	-	-	120	115	224	224	463	393	-	-
QS-10	-	-	-	-	231	231	476	423	-	-
QS-12	-	-	-	-	-	-	438	379	760	730
LRLL, outlet on the side										
QS-4	30	30	100	96	-	-	-	-	-	-
QS-6	32	31	155	140	267	266	-	-	-	-
QS-8	-	-	115	110	268	264	474	340	-	-
QS-10	-	-	-	-	269	262	456	411	-	-
QS-12	-	-	-	-	-	-	518	423	730	700

Materials	
Housing	Reinforced PBT
Threaded plug	Nickel plated brass
Threaded seal	PTFE
Note on materials	RoHS-compliant

Differential pressure regulators LRL/LRLL

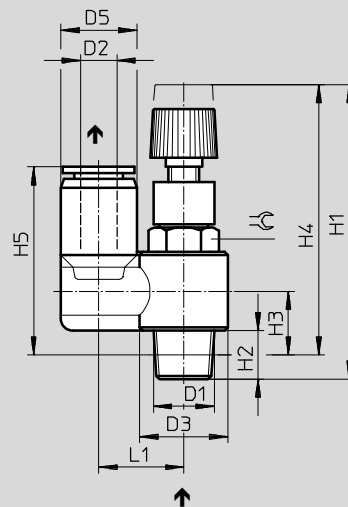
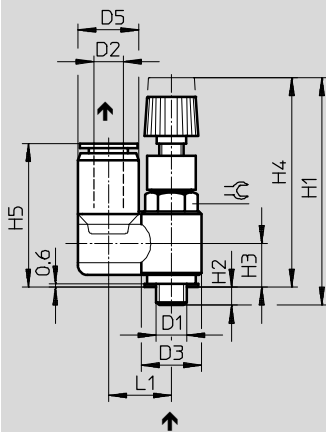
Technical data

Dimensions – LRL, outlet on top

Download CAD data → www.festo.com

With screw-in thread M5

With screw-in thread R $\frac{1}{8}$, R $\frac{1}{4}$, R $\frac{3}{8}$, R $\frac{1}{2}$



↑ = Flow direction with pressure reduction

-  - Note

Pressure applied at the QS push-in connector D2 can be exhausted with no change in pressure at the thread connection end D1 thanks to an integrated non-return valve.

Screw-in thread D1	D2 Ø	D3 Ø	D5 Ø	H1		H2	H3	H4		H5	L1	≙
				min.	max.			min.	max.			
M5	4	9.8	10.2	35.2	38.3	2.9	6.7	32.3	35.4	23.9	10.5	8
	6	9.8	12.6	35.2	38.3	2.9	6.7	32.3	35.4	26	12.2	8
R $\frac{1}{8}$	4	14.4	10.2	43.7	48.2	8	10.9	39.7	44.2	28.9	13	10
	6	14.4	12.6	43.7	48.2	8	10.9	39.7	44.2	31	14.2	10
	8	14.4	14.6	43.7	48.2	8	10.9	39.7	44.2	32.4	15.3	10
R $\frac{1}{4}$	6	18.4	12.6	47.8	52.3	11.1	12	41.8	46.2	32.1	17.2	14
	8	18.4	14.6	47.8	52.3	11.1	12	41.8	46.2	33.6	18.2	14
	10	18.4	17.8	47.8	52.3	11.1	12	41.8	46.2	35.9	19.8	14
R $\frac{3}{8}$	8	22	14.6	54.5	59	13.2	15.4	48.2	52.6	37.8	19.2	19
	10	22	17.8	54.5	59	13.2	15.4	48.2	52.6	40.1	20.2	19
	12	22	21.2	54.5	59	13.2	15.4	48.2	52.6	42.8	23.4	24
R $\frac{1}{2}$	12	28	21.2	59.8	64.3	16	18.2	51.6	56.1	47	23.4	24

Differential pressure regulators LRL/LRLL

Technical data

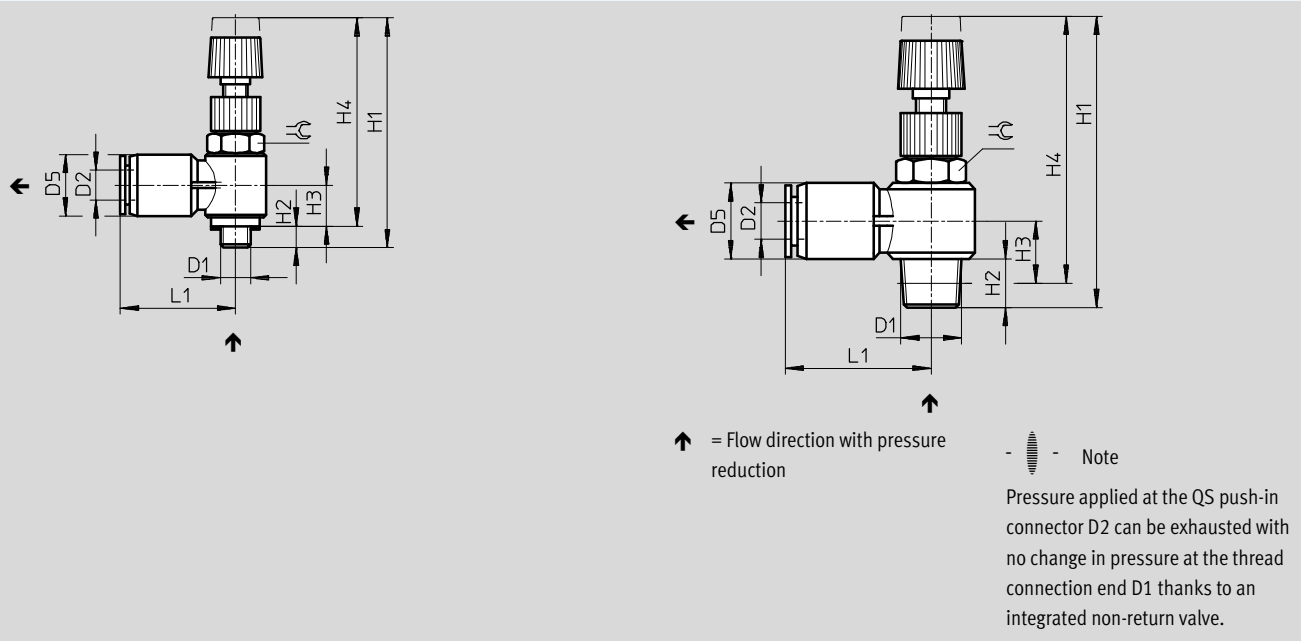
FESTO

Dimensions – LRLL, outlet on side

Download CAD data → www.festo.com

With screw-in thread M5



With screw-in thread R $\frac{1}{8}$, R $\frac{1}{4}$, R $\frac{3}{8}$, R $\frac{1}{2}$



Screw-in thread D1	D2 Ø	D5 Ø	H1		H2	H3	H4		L1	≈
			min.	max.			min.	max.		
M5	4	9.9	35.7	38.8	3.4	7.1	32.3	35.4	19.9	8
	6	12.4	35.7	38.8	3.4	8.3	32.3	35.4	24	8
R $\frac{1}{8}$	4	10	44.5	48.5	8	9.5	40.5	44.5	21.5	10
	6	12.5	44.5	48.5	8	10.5	40.5	44.5	23.5	10
	8	14.5	44.5	48.5	8	11.5	40.5	44.5	27	10
R $\frac{1}{4}$	6	12.5	48.5	52	11.5	12	42.5	46	25.5	14
	8	14.5	48.5	52	11.5	13	42.5	46	28.5	14
	10	17.5	48.5	52	18.5	15	42.5	46	31	14
R $\frac{3}{8}$	8	14.5	56	59	13	15	49.5	52.5	29	19
	10	17.5	56	59	13	16.5	49.5	52.5	31	19
	12	21	56	59	13	18	49.5	52.5	37	24
R $\frac{1}{2}$	12	21	62	64.5	16	19.5	54	56.5	36.5	24

Differential pressure regulators LRL/LRLL

Technical data

Ordering data					
	Pneumatic connection		Weight [g]	Part No.	Type
	1	2			
Outlet on top					
	M5	QS-4	9.5	153510	LRL-M5-QS-4
		QS-6	11	153512	LRL-M5-QS-6
	R ¹ / ₈	QS-4	21	153511	LRL-¹/₈-QS-4
		QS-6	22	153513	LRL-¹/₈-QS-6
		QS-8	23	153515	LRL-¹/₈-QS-8
	R ¹ / ₄	QS-6	38	153514	LRL-¹/₄-QS-6
		QS-8	39	153516	LRL-¹/₄-QS-8
		QS-10	43	153518	LRL-¹/₄-QS-10
	R ³ / ₈	QS-8	70	153517	LRL-³/₈-QS-8
		QS-10	74	153519	LRL-³/₈-QS-10
		QS-12	78	153520	LRL-³/₈-QS-12
	R ¹ / ₂	QS-12	110	153521	LRL-¹/₂-QS-12
Outlet on the side					
	M5	QS-4	9	153498	LRLL-M5-QS-4
		QS-6	10	153500	LRLL-M5-QS-6
	R ¹ / ₈	QS-4	19	153499	LRLL-¹/₈-QS-4
		QS-6	20	153501	LRLL-¹/₈-QS-6
		QS-8	22	153503	LRLL-¹/₈-QS-8
	R ¹ / ₄	QS-6	37	153502	LRLL-¹/₄-QS-6
		QS-8	38	153504	LRLL-¹/₄-QS-8
		QS-10	42	153506	LRLL-¹/₄-QS-10
	R ³ / ₈	QS-8	67	153505	LRLL-³/₈-QS-8
		QS-10	69	153507	LRLL-³/₈-QS-10
		QS-12	73	153508	LRLL-³/₈-QS-12
	R ¹ / ₂	QS-12	105	153509	LRLL-¹/₂-QS-12