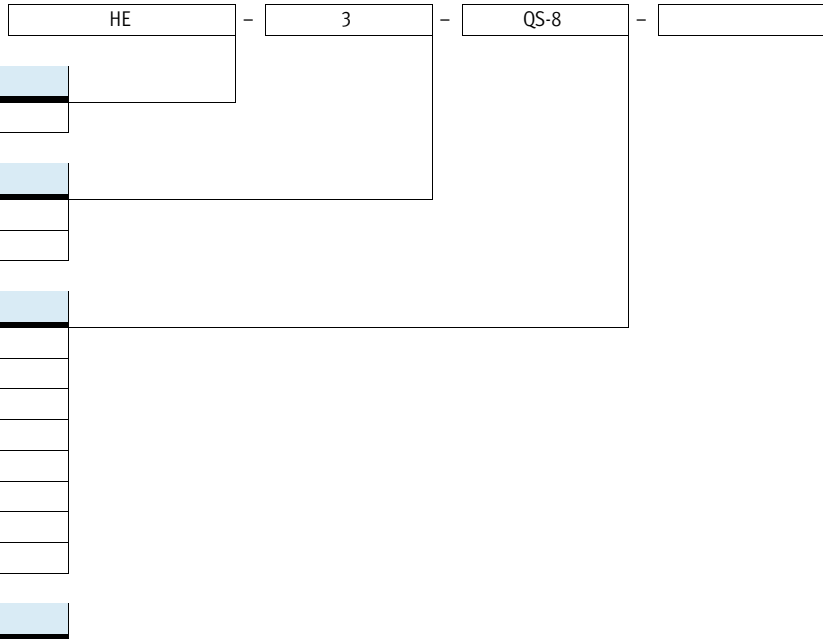


Shut-off valves HE

Type codes



Type	
HE	Shut-off valves

Function	
2	2/2-way valve
3	3/2-way valve

Pneumatic connection 1	
QS-6	Push-in connector for tubing O.D. 6 mm
QS-8	Push-in connector for tubing O.D. 8 mm
QS-10	Push-in connector for tubing O.D. 10 mm
QS-12	Push-in connector for tubing O.D. 12 mm
1/8	Male thread R1/8
1/4	Male thread R1/4
3/8	Male thread R3/8
1/2	Male thread R1/2

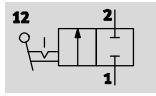
Pneumatic connection 2	
	Same size push-in connector as pneumatic connection 1
QS-6	Push-in connector for tubing O.D. 6 mm
QS-8	Push-in connector for tubing O.D. 8 mm
QS-10	Push-in connector for tubing O.D. 10 mm
QS-12	Push-in connector for tubing O.D. 12 mm
1/8	Male thread R1/8
1/4	Male thread R1/4
3/8	Male thread R3/8

Shut-off valves HE

Technical data

FESTO

HE-2



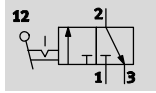
- - Standard nominal flow rate
278 ... 840 l/min

- - Temperature range
0 ... +60 °C

- - Operating pressure
-0.95 ... 10 bar



HE-3



General technical data – HE-2

Pneumatic connection 1	QS-6	QS-8	QS-10	QS-12	R1/8	R1/4	R3/8	R1/2
Pneumatic connection 2	QS-6	QS-8	QS-10	QS-12	QS-6	QS-8	QS-10	QS-12
Nominal width [mm]	5	5	7	7	5	5	7	7
Design	Piston spool valve							
Type of mounting	In-line installation With through-hole							
Mounting position	Any							
Valve function	2/2-way valve, bistable							
Type of actuation	Manual							
Type of pilot control	Direct							
Direction of flow	Non-reversible							
Sealing principle	Soft							

General technical data – HE-3

Pneumatic connection 1	QS-6	QS-8	QS-10	QS-12	R1/8	R1/4	R3/8	R1/2			
Pneumatic connection 2	QS-6	QS-8	QS-10	QS-12	QS-6	R1/8	QS-8	R1/4	QS-10	R3/8	QS-12
Pneumatic connection 3	Not ducted										
Nominal width [mm]	5	5	7	7	5	5	5	7	7	7	7
Design	Piston spool valve										
Type of mounting	In-line installation With through-hole										
Mounting position	Any										
Valve function	3/2-way valve, bistable										
Type of actuation	Manual										
Exhaust air function	No flow control										
Type of control	Direct										
Direction of flow	Non-reversible										
Sealing principle	Soft										

Operating and environmental conditions

Operating pressure [bar]	-0.95 ... 10
Operating medium	Compressed air according to ISO 8573-1:2010 [7:-:-]
Note on operating/pilot medium	Lubricated operation possible (in which case lubricated operation will always be required)
Ambient temperature [°C]	0 ... +60

Materials

Housing	PBT, reinforced
Note on materials	RoHS-compliant

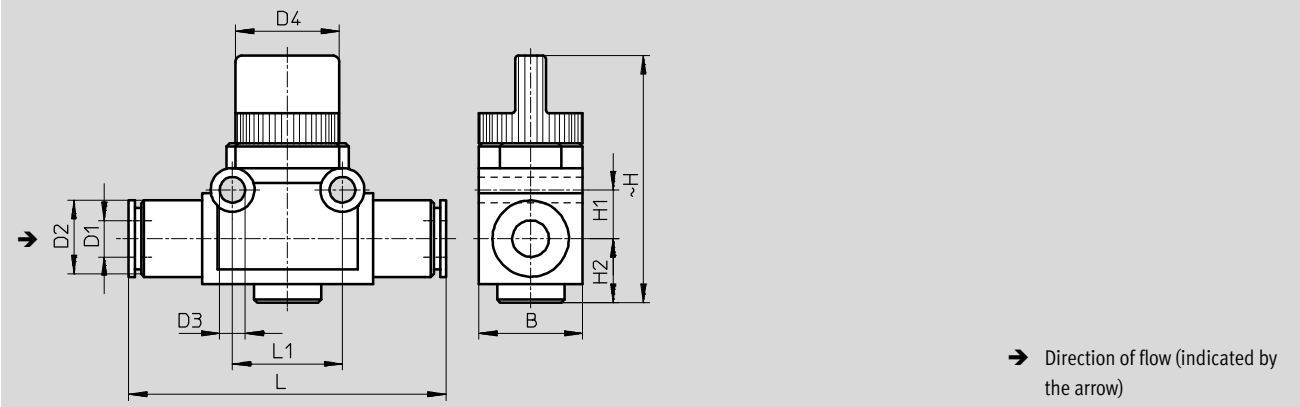
Shut-off valves HE

Technical data

FESTO

Dimensions – Push-in connector at both ends

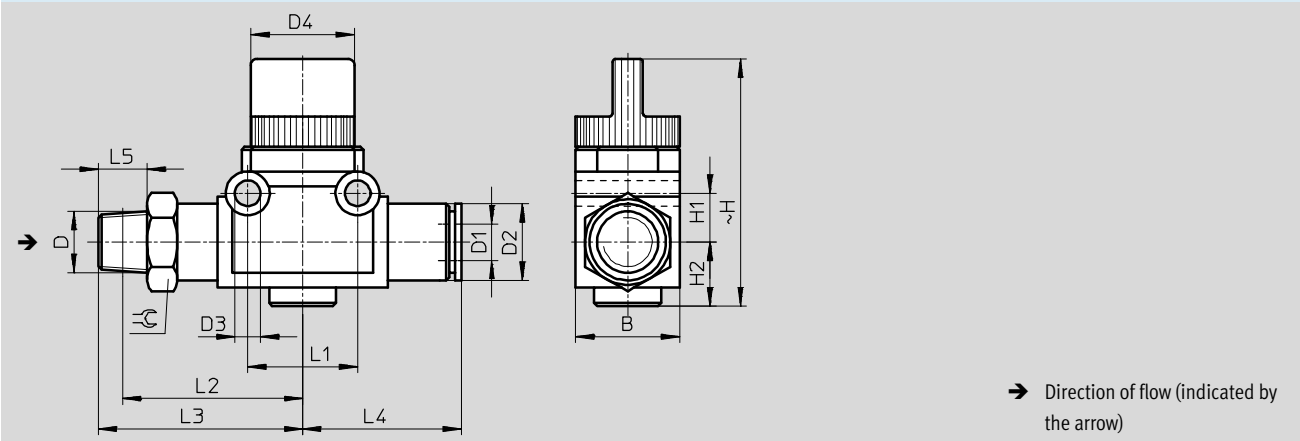
Download CAD data → www.festo.com



Type	B	D1 ∅	D2 ∅	D3 ∅	D4 ∅	H	H1	H2	L	L1
HE...-QS-6	17	6	12.5	4.2	16.5	40.5	8	10.5	53.2	18
HE...-QS-8	17	8	15	4.2	16.5	40.5	8	10.5	56	18
HE...-QS-10	21.7	10	17.5	4.2	19.5	41	11	10.5	65	24
HE...-QS-12	21.7	12	21	4.2	19.5	41	11	10.5	70.2	24

Dimensions – Male thread/push-in connector

Download CAD data → www.festo.com



Type	B	D	D1 ∅	D2 ∅	D3 ∅	D4 ∅	H	H1	H2	L1	L2	L3	L4	L5	☞
HE...-1/8-QS-6	17	R1/8	6	12.5	4.2	16.5	40.5	8	10.5	18	29.5	33.5	26	8	14
HE...-1/4-QS-8	17	R1/4	8	15	4.2	16.5	40.5	8	10.5	18	30.5	36.5	28	11	14
HE...-3/8-QS-10	21.7	R3/8	10	17.5	4.2	19.5	41	11	10.5	24	37	43.5	32.5	12	17
HE...-1/2-QS-12	21.7	R1/2	12	21	4.2	19.5	41	11	10.5	24	38.5	46.5	35.5	15	21

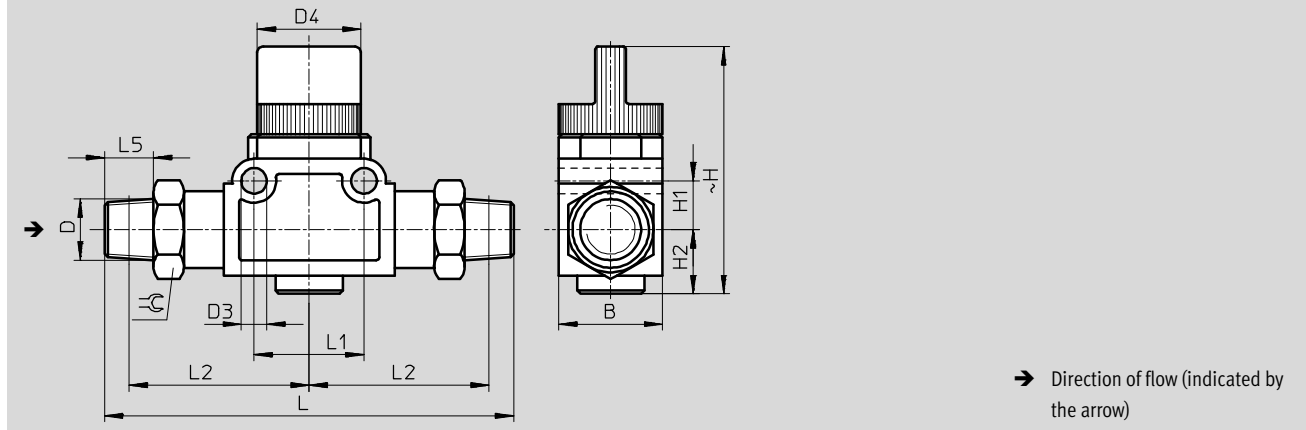
Shut-off valves HE

Technical data

FESTO

Dimensions – Male thread at both ends

Download CAD data → www.festo.com



Type	B	D	D3 ∅	D4 ∅	H	H1	H2	L	L1	L2	L5	↻
HE-3-1/8-1/8	17	R1/8	4.2	16.5	40.5	8	10.5	67	18	29.5	8	14
HE-3-1/4-1/4	21.7	R1/4	4.2	19.5	41	11	10.5	85	24	36.5	11	17
HE-3-3/8-3/8	21.7	R3/8	4.2	19.5	41	11	10.5	87	24	37	12	17

Ordering data							
Version		Pneumatic connection		Standard nominal flow rate qnN	Weight	Part No.	Type
		1	2	[l/min]	[g]		
2/2-way valve							
	Push-in connector at both ends	QS-6	QS-6	278	24.5	153467	HE-2-QS-6
		QS-8	QS-8	388	27	153468	HE-2-QS-8
		QS-10	QS-10	761	44	153469	HE-2-QS-10
		QS-12	QS-12	831	50	153470	HE-2-QS-12
	Male thread/push-in connector	R1/8	QS-6	307	33	153471	HE-2-1/8-QS-6
		R1/4	QS-8	396	40.5	153472	HE-2-1/4-QS-8
		R3/8	QS-10	728	70	153473	HE-2-3/8-QS-10
		R1/2	QS-12	776	95	153474	HE-2-1/2-QS-12
3/2-way valve							
	Push-in connector at both ends	QS-6	QS-6	279	24.5	153475	HE-3-QS-6
		QS-8	QS-8	390	27	153476	HE-3-QS-8
		QS-10	QS-10	780	44	153477	HE-3-QS-10
		QS-12	QS-12	840	50	153478	HE-3-QS-12
	Male thread/push-in connector	R1/8	QS-6	301	33	153479	HE-3-1/8-QS-6
		R1/4	QS-8	380	40.5	153480	HE-3-1/4-QS-8
		R3/8	QS-10	733	70	153481	HE-3-3/8-QS-10
		R1/2	QS-12	796	95	153482	HE-3-1/2-QS-12
	Male thread at both ends	R1/8	R1/8	301	42	153296	HE-3-1/8-1/8
		R1/4	R1/4	380	79.5	153297	HE-3-1/4-1/4
		R3/8	R3/8	733	96	153298	HE-3-3/8-3/8