

Push-in fittings CRQS, stainless steel



# Push-in fittings CRQS, stainless steel

Features

## Application



Effortless selection of the right fitting. Festo offers a secure solution for every connection. The convenient push-in fitting system includes well over 1000 types of standard and function fittings.

Summary of tubing/fitting combinations			
Applications	Fitting	Tubing	Description
Standard	QS	PEN	Suitable for a wide range of tasks and attractively priced. Flexible thanks to highly resistant materials, easy to install thanks to optimised bending radii. High level of abrasion resistance in dynamic applications.
	QS	PUN	Maximum flexibility in standard applications thanks to an extremely wide range of options for combining the different types.
	QS	PAN	Meets all requirements, even for standard applications with increased pressure and temperature ranges.
High pressures	NPQM	PAN-MF	Meets DIN standard 73378: ideal for use in mobile pneumatics. Suitable for increased temperature ranges combined with high pressure ranges.
	NPQH	PAN-R	Powerful in pressure ranges up to 20 bar, for example in applications with the pressure booster DPA.
Resistant to chemicals, food safe and hydrolysis resistant	NPQP	PLN	Resistant to cleaning agents, FDA compliant and economical. Can be used instead of the combination with stainless steel fittings.
	NPKA	PUN-H	Hydrolysis resistant and suitable for water applications. Combination suitable for use in clean rooms, FDA compliant and corrosion resistant thanks to 100% polymer construction. Very easy to install thanks to the "one click principle".
	NPQH	PFAN/PTFEN	For high temperatures up to 150 °C. Suitable for use in the food industry, FDA compliant and resistant to cleaning agents.
	NPCK	PFAN/PTFEN	Easy to clean thanks to the union nut's edge-free design. Maximum resistance to corrosion (CRC 4) and FDA compliant. Suitable for a wide range of media.
	CRQS	PFAN/PTFEN	Maximum resistance to corrosion (CRC 4) and to aggressive acids and lyes.
Anti-static	NPQM	PUN-CM	Anti-static tubing plus solid metal fitting: maximum protection for electrical and electronic components.
Flame retardant	NPQM	PUN-V0	Very safe in areas where there is a risk of fire thanks to flame-retardant properties. The tubing has been tested to DIN 5510-2.
Resistant to welding spatter	NPQH	PUN-V0-C	Ideal for applications involving welding spatter. Reliable thanks to a tubing wall thickness of 2 mm for all diameters.
	QS-V0	PAN-V0	Safe even in the mediate vicinity of welding spatter thanks to the double-walled tubing with special fitting.

# Push-in fittings CRQS, stainless steel

Features

## Push-in fittings product range

### QSM, mini series



Technical data → Internet: qsm

Miniature push-in fittings for maximum component density in confined spaces. For pneumatic applications with a temperature range up to 80 °C and a pressure range up to 14 bar. Tubing O.D.∅ of 2, 3, 4 and 6 mm with connecting threads M3, M5, M6, M7, R1/8 and G1/8.

### QS, standard series



Technical data → Internet: qs

Wide selection of push-in fittings for pneumatic applications with a temperature range up to 80 °C and a pressure range up to 14 bar. Tubing O.D.∅ of 4, 6, 8, 10, 12, 16 and 22 mm with connecting threads R1/8 ... R1/2 and G1/8 ... G3/4.

### CRQS, stainless steel



Technical data → Internet: crqs

Stainless steel push-in fitting. High corrosion resistance (CRC4) and chemical resistance with approval for use in the food and packaging industry. For pneumatic applications with a temperature range up to 120 °C and a pressure range up to 10 bar. Tubing O.D.∅ of 4, 6, 8, 10, 12 and 16 mm with connecting threads M5 and R1/8 ... R1/2.

### QS-V0, weld spatter resistant



Technical data → Internet: qs-v0

Flame-retardant push-in fitting for use in all areas where there is a risk of fire, for example welding systems in the automotive industry and in the construction industry. For pneumatic applications with a temperature range up to 60 °C and a pressure range up to 10 bar. Tubing O.D.∅ of 4, 6, 8, 10 and 12 mm with connecting threads R1/8 ... R1/2 and G1/8 ... G1/2.

### NPQH



Technical data → Internet: npqh

All metal push-in fitting made of chemically nickel-plated brass. High corrosion resistance (CRC3) and chemical resistance. For pneumatic applications with a temperature range up to 150 °C and a pressure range up to 20 bar. Tubing O.D.∅ of 4, 6, 8, 10, 12 and 14 mm with connecting threads M5, M7 and G1/8 ... G1/2.

### NPQM



Technical data → Internet: npqm

Attractively priced metal push-in fitting for pneumatic applications with a temperature range up to 70 °C and a pressure range up to 16 bar. Tubing O.D.∅ of 3, 4, 6, 8, 10, 12 and 14 mm with connecting threads M5, M7 and G1/8 ... G3/4.

### NPQP



Technical data → Internet: npqp

Polypropylene fitting for use in applications with extreme media influences. For pneumatic applications with a temperature range up to 60 °C and a pressure range up to 10 bar. Tubing O.D.∅ of 4, 6, 8, 10 and 12 mm with connecting threads R1/8 ... R1/2.

# Push-in fittings CRQS, stainless steel

Features

FESTO

## Functional push-in fittings product range

QSK, self-sealing push-in fitting

Technical data → Internet: qsk



Push-in fitting that blocks the air flow after the tubing is disconnected. For pneumatic applications with a temperature range up to 60 °C and a pressure range up to 14 bar. Tubing O.D.∅ of 4, 6, 8, 10 and 12 mm with connecting threads M5, R1/8 ... R1/2 and G1/8 ... G1/2.

QSR, rotary push-in fitting

Technical data → Internet: qsr



Push-in fitting with swivel connection, rotatable by 360°. The ball bearing enables rotating movements in the application up to max. 500 rpm. For pneumatic applications with a temperature range up to 60 °C and a pressure range up to 14 bar. Tubing O.D.∅ of 4, 6, 8, 10 and 12 mm with connecting threads M5, R1/8 ... R1/2 and G1/8 ... G1/2.

## Quick connectors product range

NPCK

Technical data → Internet: npck



Stainless steel fitting for use in areas subject to intensive cleaning. Highest level of corrosion resistance (CRC 4). For pneumatic applications with a temperature range up to 120 °C and a pressure range up to 12 bar. Tubing O.D.∅ of 4, 6, 8 and 10 mm with connecting thread M5 and G1/8 ... G3/8.

## Click fittings product range

NPKA

Technical data → Internet: npka



Plastic fitting for easy installation with one-hand operation. Hydrolysis resistant, FDA compliant and easy to clean. For pneumatic applications with a temperature range up to 60 °C and a pressure range up to 10 bar. Tubing O.D. 6 mm with connecting thread G1/8.

# Push-in fittings CRQS, stainless steel

Features

## CRQS, the stainless steel fitting

### Highest process reliability in every case

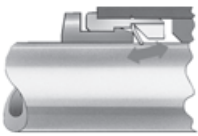
Highest corrosion resistance and maximum robustness: the CRQS stays leak-proof even when subjected to extreme temperature, pressure and resistance.

### Unlimited use in the food industry

The push-in fitting CRQS can be used in combination with the plastic tubing PFAN, which is approved for use in the food industry, in all areas of the Food & Packaging industry, e.g. wherever

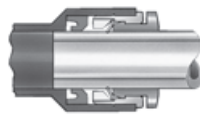
the use of stainless steel is stipulated. Used together, they easily resist all cleaning agents and lubricants and can also be used with highly aggressive acids and lyes.

## Simply "plug and work"



The stainless steel retaining claw within the fitting holds the tubing securely without damaging its surface. Vibration and pressure surges are safely absorbed.

## Reliably connected



A fluoro elastomer sealing ring guarantees a perfect seal between the standard tubing and the body of the fitting. Standard tubing is suitable for use with compressed air and vacuum.

## Orientable



The fitting can be aligned after assembly.

## Tube assembly/disassembly

### Mounting

The prerequisite for ensuring that the inside seal [3] is securely held and protected against damage is that the tube be cut to straight lengths and deburred.

- 1) Pull out releasing ring [1].
- 2) Insert tubing until the end stop [2].

It is important to ensure that the

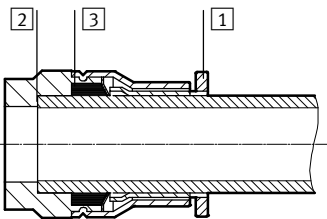
tubing is inserted into the inside seal [3]. Depending on the tolerance position of the tubing and the seal, the contact of the tubing with the seal may be wrongly interpreted as the end stop.

- 3) Check that the tubing connector is securely held by pulling gently on the tube.

### Dismantling

- 1) The tubing can be detached easily by pressing down and holding the releasing ring [1]. Remove the tubing carefully from the threaded connector.

- 2) Before re-using the tubing, remove the damaged part by cutting it off.



# Push-in fittings CRQS, stainless steel

Features

## Which fitting fits which thread?

### Metric thread

- Shorter thread
- Constant installation depth
- Replaceable sealing ring
- Sealing on front face
- Can be re-used a number of times thanks to replaceable sealing ring

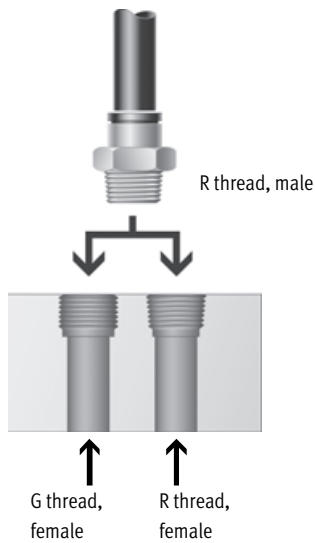
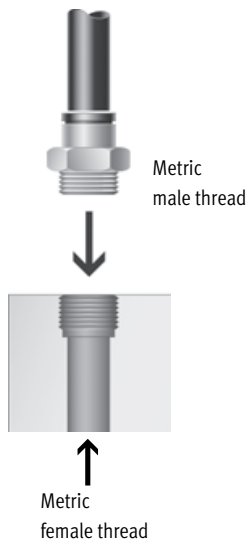
- Sealing is guaranteed as the O-ring sits in a groove that seals against the tube

### R thread to EN 10226-1 and ISO 7/1

- Self-sealing thread
- No additional sealing surface required
- Smaller installation dimensions since there is no need for an offset for the sealing surface
- Can be reused up to 5 times

 Note

An appropriate sealing material is required to seal the push-in fitting CRQS with R thread.



# Push-in fittings CRQS, stainless steel

Technical data

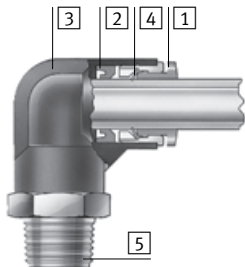
General technical data	
Size	Standard
Design	Push-pull principle
Mounting position	Any
Type of seal on threaded plug	Sealing ring (metric thread only)
Usable lines	PFAN

Operating and environmental conditions	
Operating pressure [bar]	-0.95 ... +10
complete temperature range	
Operating medium	Compressed air in accordance with ISO 8573-1:2010 [7:-:-] Water as per manufacturer's declaration <sup>2)</sup>
Note on operating/pilot medium	Operation with lubricated medium possible
Ambient temperature [°C]	-15 ... +120
Corrosion resistance class CRC <sup>1)</sup>	4
Food-safe	See supplementary material information <sup>2)</sup>
Maritime classification	See certificate <sup>2)</sup>

- 1) Corrosion resistance class CRC 4 to Festo standard FN 940070  
Particularly high corrosion stress. Outdoor exposure under extreme corrosive conditions. Parts exposed to aggressive media, for instance in the chemical or food industries. These applications may need to be supported by special tests (→ also FN 940082) using appropriate media.
- 2) Additional information [www.festo.com/sp](http://www.festo.com/sp) → Certificates.

## Materials

Sectional view

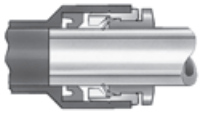


Push-in fitting CRQS		
1	Releasing ring	High-alloy stainless steel
2	Tubing seal	FPM
3	Housing	High-alloy stainless steel
4	Tube retaining claw	High-alloy stainless steel
5	Threaded coupling	High-alloy stainless steel
-	Nut (push-in bulkhead connector CRQS only)	High-alloy stainless steel
Note on materials		RoHS-compliant

# Push-in fittings CRQS, stainless steel

Technical data

## Tubing insertion depth



Tubing O.D. [mm]	4	6	8	10	12	16
Tubing insertion depth [mm]	18	19.5	21.5	25.5	27	32

## Recommended tightening torque



When using push-in fittings with internal hex, ensure that the Allen key is not inserted too far into the fitting to prevent the risk of damage to components behind the fitting.

**Note**  
 For sealing of the R-thread a suitable coating is required. This coating replaces the conventional sealing ring. Simply screw in the R-thread by hand and tighten it with 1 or 2 turns of a spanner. The fitting can be reinstalled up to five times. When screwing in R-threads several times, you must make sure that the abraded particles from the sealing material coating cannot enter the compressed air system.

Connecting thread	Nominal tightening torque [Nm]
M thread	
M5	1.33 ±20%

Thread	Possible push-in fitting/tubing combinations					
	Tubing O.D. [mm]					
	4	6	8	10	12	16
M5	++	+	-	-	-	-
R $\frac{1}{8}$	+	++	+	-	-	-
R $\frac{1}{4}$	-	+	++	+	-	-
R $\frac{3}{8}$	-	-	-	++	+	-
R $\frac{1}{2}$	-	-	-	-	++	+


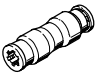




- + Possible thread/tubing O.D. combinations
- ++ Optimum thread/tubing O.D. combinations (with regard to flow)



# Push-in fittings CRQS, stainless steel

Product range overview






Design	Version	Type	Connection D1			Connection D2		→ Page/ Internet
			M thread	R thread	Tubing O.D.	Tubing O.D.		
Straight design	<b>Push-in fitting – Male thread with internal/external hex</b>							
		CRQS	M5xQ8	–	–	4, 6	11	
			–	R $\frac{1}{8}$				4, 6, 8
			–	R $\frac{1}{4}$				6, 8, 10
			–	R $\frac{3}{8}$				10, 12
			–	R $\frac{1}{2}$				12, 16
	<b>Push-in connector</b>							
		CRQS	–	–	4	4	13	
			–	–	6	6		
			–	–	8	8		
			–	–	10	10		
			–	–	12	12		
		CRQS reducing	–	–	6	4	13	
			–	–	8	6		
			–	–	10	8		
–			–	12	10			
–			–	16	12			
<b>Push-in bulkhead connector</b>								
	CRQSS	–	–	4	4	13		
		–	–	6	6			
		–	–	8	8			
		–	–	10	10			
		–	–	12	12			
L-shape	<b>Push-in L-fitting, orientable – male thread with external hex</b>							
		CRQSL	M5xQ8	–	–	4, 6	14	
			–	R $\frac{1}{8}$				4, 6, 8
			–	R $\frac{1}{4}$				6, 8, 10
			–	R $\frac{3}{8}$				10, 12
			–	R $\frac{1}{2}$				12, 16
	<b>Push-in L-connector</b>							
		CRQSL	–	–	4	–	15	
			–	–	6			
			–	–	8			
–			–	10				
–			–	12				
–	–	16						

# Push-in fittings CRQS, stainless steel

Product range overview



Design	Version	Type	Connection D1			Connection D2	→ Page/ Internet
			M thread	R thread	Tubing O.D.	Tubing O.D.	
T-shape	<b>Push-in T-fitting, orientable – male thread with external hex</b>						
		CRQST	M5x0.8	–	–	4, 6	16
		–	R1/8		6, 8		
			R1/4		8, 10		
			R3/8		10, 12		
			R1/2		12, 16		
T-shape	<b>Push-in T-connector</b>						
		CRQST	–	–	4	–	17
				6			
				8			
				10			
				12			
				16			
Y-shape	<b>Push-in Y-connector</b>						
		CRQSY	–	–	4	–	17
				6			
				8			
				10			
				12			
				16			

# Push-in fittings CRQS, stainless steel

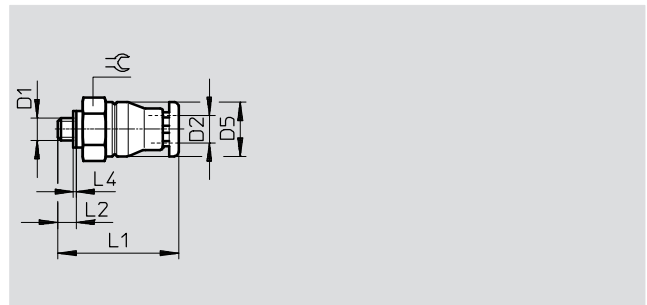
Technical data

## Push-in fitting CRQS

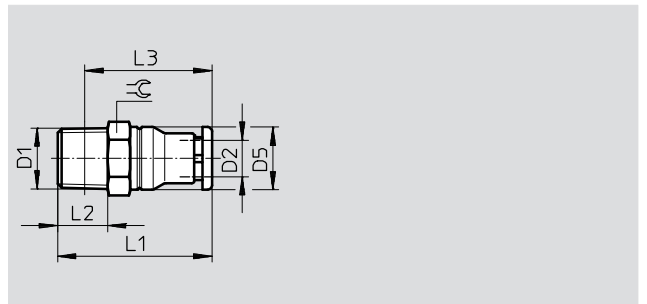
Male thread with external hex



M thread



R thread



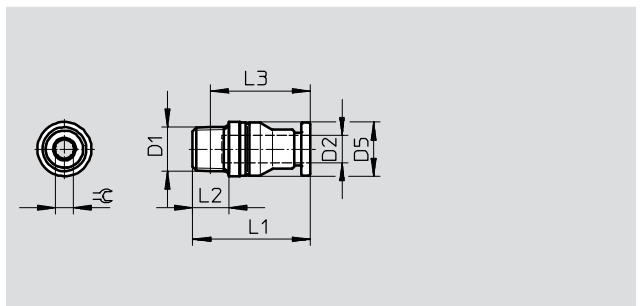
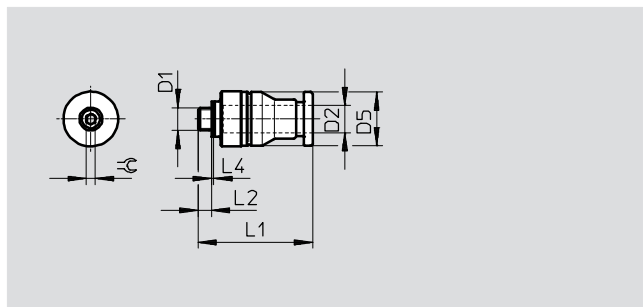
Dimensions and ordering data													
Pneumatic connection		Nominal size [mm]	Dimensions [mm]							Weight/ piece [g]	Part No.	Type	PU <sup>1)</sup>
Male thread	For tubing O.D.		D5 Ø	L1	L2	L3	L4	☞					
D1	D2												
Metric thread with sealing ring													
M5x08	4	2	9.8	24.4	3	-	0.5	10	6	162860	CRQS-M5-4	1	
	6	2	11.8	25.6	3	-	0.5	12	8.4	162861	CRQS-M5-6	1	
R thread													
R <sup>1</sup> / <sub>8</sub>	4	2.5	9.8	27.4	8	23.4	-	10	8.7	132643	CRQS-1/8-4	1	
	6	4.1	11.8	27.6	8	23.7	-	12	9.9	162862	CRQS-1/8-6	1	
	8	5.1	13.8	30.9	8	27	-	14	12	162863	CRQS-1/8-8	1	
R <sup>1</sup> / <sub>4</sub>	6	4.2	11.8	31.6	11	25.6	-	14	18	132644	CRQS-1/4-6	1	
	8	5.8	13.8	33.9	11	27.9	-	14	18	162864	CRQS-1/4-8	1	
	10	5.9	16.8	36	11	30	-	17	22	162865	CRQS-1/4-10	1	
R <sup>3</sup> / <sub>8</sub>	10	6	16.8	38	12	31.7	-	17	29	162866	CRQS-3/8-10	1	
	12	7.6	19.8	39.9	12	33.6	-	21	37	162867	CRQS-3/8-12	1	
R <sup>1</sup> / <sub>2</sub>	12	8.1	19.8	42.9	15	34.7	-	22	55	162868	CRQS-1/2-12	1	
	16	10.1	23.7	49.7	15	41.6	-	24	59	162869	CRQS-1/2-16	1	

1) Packaging unit

# Push-in fittings CRQS, stainless steel

Technical data

**Push-in fitting CRQS-...-I**  
Male thread with internal hex



Dimensions and ordering data												
Pneumatic connection		Nominal size	Dimensions [mm]						Weight/ piece	Part No.	Type	PU <sup>1)</sup>
Male thread	For tubing O.D.		D5	L1	L2	L3	L4	⊕				
D1	D2	[mm]	∅						[g]			
Metric thread with sealing ring												
M5	4	2	10	22.9	3	-	0.5	2	5	132328	CRQS-M5-4-I	1
	6	2	12	25.1	3	-	0.5	2	7.7	132329	CRQS-M5-6-I	1
R thread												
R <sup>1</sup> / <sub>8</sub>	6	4.1	12	26.1	8	22.2	-	4	8.4	132330	CRQS-1/8-6-I	1
	8	5.1	14	30.4	8	26.5	-	5	12	132331	CRQS-1/8-8-I	1
R <sup>1</sup> / <sub>4</sub>	8	5.8	14	31.4	11	25.4	-	6	15	132332	CRQS-1/4-8-I	1
	10	5.9	17	36	11	30	-	6	21	132333	CRQS-1/4-10-I	1
R <sup>3</sup> / <sub>8</sub>	10	6	17	34	12	27.7	-	6	24	132334	CRQS-3/8-10-I	1
	12	7.6	20	36.4	12	30.1	-	8	28	132335	CRQS-3/8-12-I	1
R <sup>1</sup> / <sub>2</sub>	12	8.1	22	39.4	15	31.2	-	8	45	132336	CRQS-1/2-12-I	1
	16	10.1	24	46.7	15	38.6	-	12	47	132337	CRQS-1/2-16-I	1

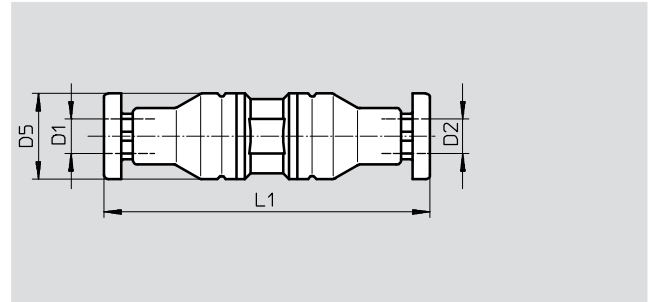
1) Packaging unit

# Push-in fittings CRQS, stainless steel

Technical data



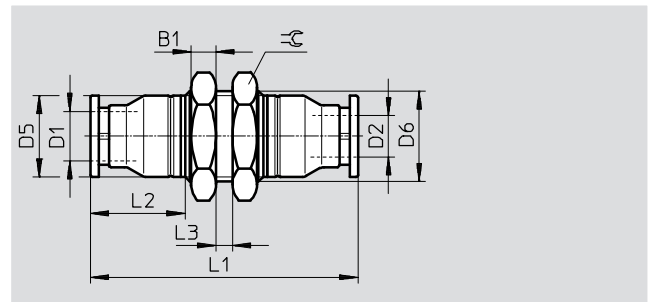
## Push-in connector CRQS



Dimensions and ordering data									
Pneumatic connection		Nominal size [mm]	Dimensions [mm]			Weight/ piece [g]	Part No.	Type	PU <sup>1)</sup>
For tubing O.D. D1	For tubing O.D. D2		D5 Ø	L1					
4	4	2.4	9.8	37.7		9.1	<b>130645</b>	<b>CRQS-4</b>	<b>1</b>
6	6	3.7	11.8	40.3		14	<b>130646</b>	<b>CRQS-6</b>	<b>1</b>
8	8	5.8	13.8	44.9		18	<b>130647</b>	<b>CRQS-8</b>	<b>1</b>
10	10	6.6	16.8	52		29	<b>130648</b>	<b>CRQS-10</b>	<b>1</b>
12	12	7.9	19.8	55.8		44	<b>130649</b>	<b>CRQS-12</b>	<b>1</b>
16	16	10.5	23.7	66.5		63	<b>130650</b>	<b>CRQS-16</b>	<b>1</b>
<b>Reducing</b>									
6	4	2.4	12	38.8		11	<b>130651</b>	<b>CRQS-6-4</b>	<b>1</b>
8	6	3.7	14	42.4		15	<b>130652</b>	<b>CRQS-8-6</b>	<b>1</b>
10	8	5.8	17	48.5		22	<b>130653</b>	<b>CRQS-10-8</b>	<b>1</b>
12	10	6.6	20	53.9		35	<b>130654</b>	<b>CRQS-12-10</b>	<b>1</b>
16	12	7.9	24	61.1		50	<b>130655</b>	<b>CRQS-16-12</b>	<b>1</b>

1) Packaging unit

## Push-in bulkhead connector CRQSS



Dimensions and ordering data													
Pneumatic connection		Nominal size [mm]	Dimensions [mm]							Weight/ piece [g]	Part No.	Type	PU <sup>1)</sup>
For tubing O.D. D1	For tubing O.D. D2		B1	D5 Ø	D6 Ø	L1	L2	L3 max.	⌀				
4	4	2.4	4	9.8	M12x1	43.7	15.4	4	14	19	<b>164210</b>	<b>CRQSS-4</b>	<b>1</b>
6	6	3.7	4	11.8	M14x1	46.3	15.6	6	17	27	<b>164211</b>	<b>CRQSS-6</b>	<b>1</b>
8	8	5.7	4	13.8	M16x1	50.9	17.9	6	19	35	<b>164213</b>	<b>CRQSS-8</b>	<b>1</b>
10	10	6.7	5	16.8	M20x1	57	20	6	24	60	<b>164215</b>	<b>CRQSS-10</b>	<b>1</b>
12	12	7.9	6	19.8	M22x1	62.8	21.9	6	27	87	<b>164217</b>	<b>CRQSS-12</b>	<b>1</b>
16	16	10.4	6	23.7	M27x1.5	72.6	26.7	6	32	118	<b>164219</b>	<b>CRQSS-16</b>	<b>1</b>

1) Packaging unit

# Push-in fittings CRQS, stainless steel



Technical data

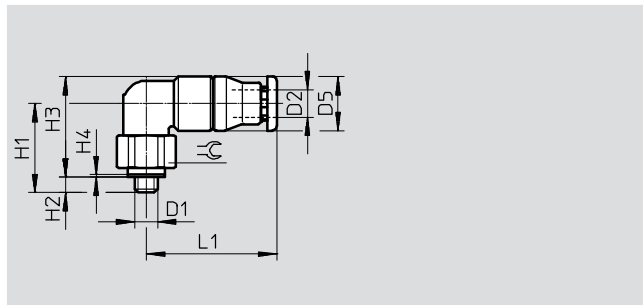
## Push-in L-fitting CRQSL

Orientable

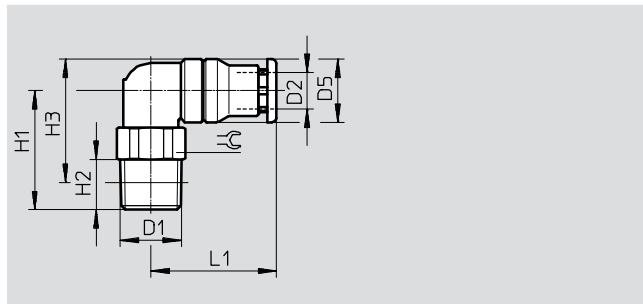
Male thread with external hex



M thread



R thread



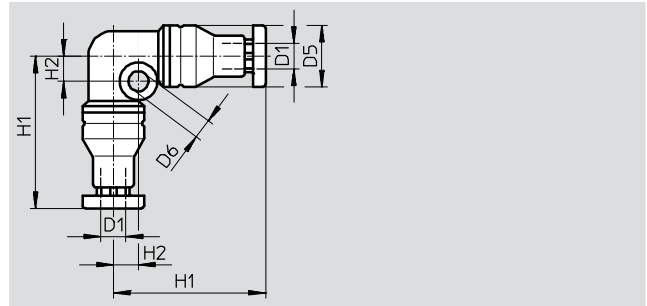
Dimensions and ordering data													
Pneumatic connection		Nominal size	Dimensions [mm]							Weight/ piece	Part No.	Type	PU <sup>1)</sup>
Male thread	For tubing O.D.		D5	H1	H2	H3	H4	L1	⌀				
D1	D2	[mm]	∅							[g]			
Metric thread with sealing ring													
M5x0.8	4	2	9.8	17	3	18.9	0.5	22.4	10	12	162870	CRQSL-M5-4	1
	6	2	11.8	19	3	21.9	0.5	23.6	12	18	162871	CRQSL-M5-6	1
R thread													
R <sup>1</sup> / <sub>8</sub>	4	2.2	9.8	19	8	19.9	–	22.4	10	14	132598	CRQSL-1/8-4	1
	6	3.9	11.8	20.5	8	22.4	–	23.6	12	19	162872	CRQSL-1/8-6	1
	8	5.2	13.8	23	8	25.9	–	26.4	14	26	162873	CRQSL-1/8-8	1
R <sup>1</sup> / <sub>4</sub>	6	3.6	11.8	23	11	22.9	–	23.6	14	26	132599	CRQSL-1/4-6	1
	8	5.1	13.8	25	11	25.9	–	26.4	14	30	162874	CRQSL-1/4-8	1
	10	6	16.8	28.5	11	30.9	–	30.5	17	42	162875	CRQSL-1/4-10	1
R <sup>3</sup> / <sub>8</sub>	10	6	16.8	28.5	12	30.6	–	30.5	17	49	162876	CRQSL-3/8-10	1
	12	8.1	19.8	30	12	33.6	–	33.4	21	65	162877	CRQSL-3/8-12	1
R <sup>1</sup> / <sub>2</sub>	12	7.9	19.8	34	15	35.7	–	33.4	22	85	162878	CRQSL-1/2-12	1
	16	9.4	23.7	36	15	39.7	–	40.7	24	99	162879	CRQSL-1/2-16	1

1) Packaging unit

# Push-in fittings CRQS, stainless steel

Technical data

## Push-in L-connector CRQSL



Dimensions and ordering data									
Pneumatic connection	Nominal size	Dimensions [mm]				Weight/ piece	Part No.	Type	PU <sup>1)</sup>
For tubing O.D.		D5 ∅	D6 ∅	H1	H2				
D1	[mm]					[g]			
4	2.1	9.8	3.2	24.4	4	13	<b>130662</b>	<b>CRQSL-4</b>	<b>1</b>
6	3.5	11.8	3.2	26.6	5	20	<b>130663</b>	<b>CRQSL-6</b>	<b>1</b>
8	5.1	13.8	3.2	29.9	6	27	<b>130664</b>	<b>CRQSL-8</b>	<b>1</b>
10	6.1	16.8	4.2	35	7	42	<b>130665</b>	<b>CRQSL-10</b>	<b>1</b>
12	7.8	19.8	4.2	37.9	8	62	<b>130666</b>	<b>CRQSL-12</b>	<b>1</b>
16	9.4	23.7	4.2	45.2	9.5	91	<b>130667</b>	<b>CRQSL-16</b>	<b>1</b>

1) Packaging unit

# Push-in fittings CRQS, stainless steel



Technical data

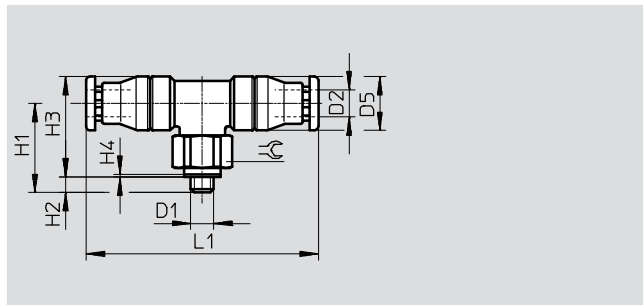
## Push-in T-fitting CRQST

Orientable

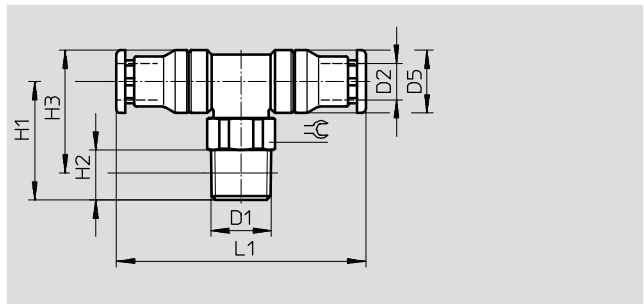
Male thread with external hex



M thread



R thread



Dimensions and ordering data													
Pneumatic connection		Nominal size	Dimensions [mm]							Weight/ piece	Part No.	Type	PU <sup>1)</sup>
Male thread	For tubing O.D.		D5	H1	H2	H3	H4	L1	⌀				
D1	D2	[mm]	∅							[g]			
Metric thread with sealing ring													
M5x0.8	4	2	9.8	17	3	18.9	0.5	44.4	10	17	164200	CRQST-M5-4	1
	6	2	11.8	19	3	21.9	0.5	47.3	12	24	164201	CRQST-M5-6	1
R thread													
R <sup>1</sup> / <sub>8</sub>	6	3.7	11.8	20.5	8	22.4	–	47.3	12	25	164202	CRQST-1/8-6	1
	8	5	13.8	23	8	25.9	–	52.5	14	33	164203	CRQST-1/8-8	1
R <sup>1</sup> / <sub>4</sub>	8	5	13.8	25	11	25.9	–	52.5	14	38	164204	CRQST-1/4-8	1
	10	5.9	16.8	28.5	11	30.9	–	61	17	56	164205	CRQST-1/4-10	1
R <sup>3</sup> / <sub>8</sub>	10	5.9	16.8	28.5	12	30.6	–	61	17	62	164206	CRQST-3/8-10	1
	12	8.1	19.8	30	12	33.6	–	66.6	21	85	164207	CRQST-3/8-12	1
R <sup>1</sup> / <sub>2</sub>	12	8.1	19.8	34	15	35.7	–	66.6	22	105	164208	CRQST-1/2-12	1
	16	9.5	23.7	36	15	39.7	–	81.4	24	128	164209	CRQST-1/2-16	1

1) Packaging unit

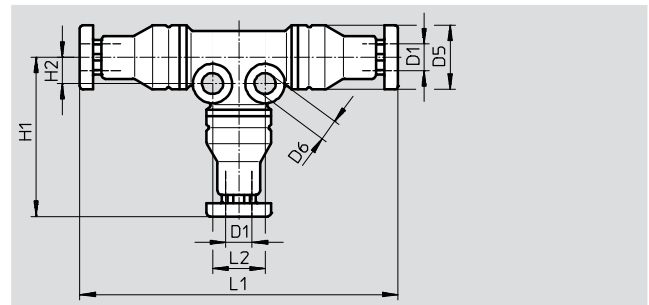


# Push-in fittings CRQS, stainless steel

Technical data



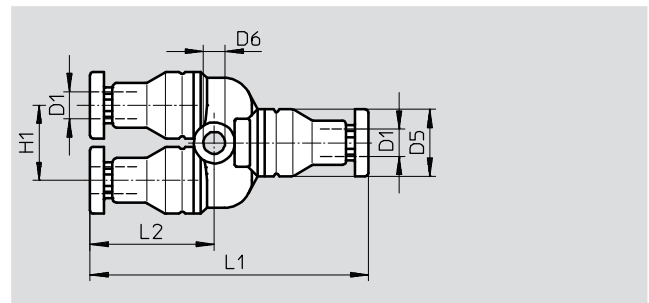
## Push-in T-connector CRQST



Dimensions and ordering data											
Pneumatic connection	Nominal size	Dimensions [mm]						Weight/ piece	Part No.	Type	PU <sup>1)</sup>
For tubing O.D.		D5 ∅	D6 ∅	H1	H2	L1	L2				
D1	[mm]							[g]			
4	2.1	9.8	3.2	24.4	4	48.4	8	18	<b>130668</b>	<b>CRQST-4</b>	<b>1</b>
6	3.5	11.8	3.2	26.6	5	53.3	10	27	<b>130669</b>	<b>CRQST-6</b>	<b>1</b>
8	5	13.8	3.2	29.9	6	59.5	12	37	<b>130670</b>	<b>CRQST-8</b>	<b>1</b>
10	6.1	16.8	4.2	35	7	69.9	14	59	<b>130671</b>	<b>CRQST-10</b>	<b>1</b>
12	8	19.8	4.2	37.9	8	75.6	16	87	<b>130672</b>	<b>CRQST-12</b>	<b>1</b>
16	9.7	23.7	4.2	45.2	9.5	90.4	19	126	<b>130673</b>	<b>CRQST-16</b>	<b>1</b>

1) Packaging unit

## Push-in Y-connector CRQSY



Dimensions and ordering data											
Pneumatic connection	Nominal size	Dimensions [mm]					Weight/ piece	Part No.	Type	PU <sup>1)</sup>	
For tubing O.D.		D5 ∅	D6 ∅	H1	L1	L2					
D1	[mm]						[g]				
4	2	9.8	3.2	11	41.1	18.4	15	<b>130656</b>	<b>CRQSY-4</b>	<b>1</b>	
6	3.3	11.8	3.2	13	44.3	18.6	24	<b>130657</b>	<b>CRQSY-6</b>	<b>1</b>	
8	4.9	13.8	3.2	15	51.4	20.9	34	<b>130658</b>	<b>CRQSY-8</b>	<b>1</b>	
10	5.6	16.8	4.3	18	58.5	23.5	52	<b>130659</b>	<b>CRQSY-10</b>	<b>1</b>	
12	7	19.8	4.3	21	64.8	25.4	80	<b>130660</b>	<b>CRQSY-12</b>	<b>1</b>	
16	8.2	23.7	4.3	25	78.5	30.2	121	<b>130661</b>	<b>CRQSY-16</b>	<b>1</b>	

1) Packaging unit