

Ball valves QH, manual

Technical data


FESTO


Function



- With hand lever
- Pipe thread to ISO 228-1




-  - Connecting thread
G1/4 ... G1 1/2

-  - Standard nominal flow rate
3400 ... 84000 l/min

General technical data						
Pneumatic port 1	G1/4	G3/8	G1/2	G3/4	G1	G1 1/2
Pneumatic port 2	G1/4	G3/8	G1/2	G3/4	G1	G1 1/2
Nominal width [mm]	10	10	15	20	25	40
Design	Ball valve					
Type of mounting	In-line installation					
Mounting position	Any					
Valve function	2/2-way valve, double solenoid					
Type of actuation	Manual					
Sealing principle	Soft					
Standard nominal flow rate [l/min] qnN	3400	7500	11500	21000	33000	84000

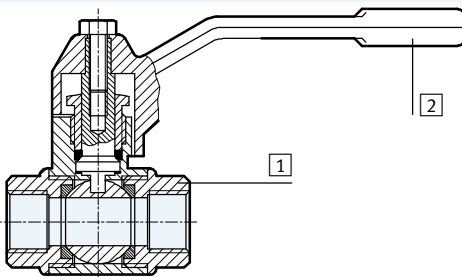
Operating and environmental conditions	
Medium ¹⁾	Compressed air according to ISO 8573-1:2010 [7:-:-] Water
Note on operating/pilot medium	Lubricated operation possible (in which case lubricated operation will always be required)
Ambient temperature [°C]	-20 ... +180

1) Other media on request

-  - Note
Not permitted for toxic gases such as natural gas, mains gas etc.

Materials

Sectional view



Ball valve		
1	Housing	Brass
2	Lever	Aluminium

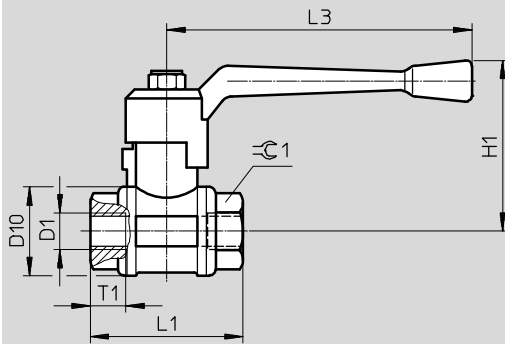
Ball valves QH, manual

Technical data

FESTO

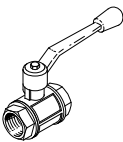
Dimensions – Female thread at both ends

Download CAD data → www.festo.com



Type	D1	D10 Ø	H1	L1	L3	T1	∠ 1
QH-1/4	G1/4	30	56	52	100	11.5	21.5
QH-3/8	G3/8	30	56	52	100	11.5	21.5
QH-1/2	G1/2	35	59	64	100	15	27
QH-3/4	G3/4	44	72	74	120	16.3	32
QH-1	G1	51	77	88	120	19.1	41
QH-11/2	G11/2	73	100	105.5	150	21.4	55

Ordering data

Version	Pneumatic port	Pneumatic port		Weight [g]	Part No.	Type
		1	2			
 Female thread at both ends	G1/4	G1/4	175	9541	QH-1/4	
	G3/8	G3/8	180	9542	QH-3/8	
	G1/2	G1/2	340	9543	QH-1/2	
	G3/4	G3/4	590	9544	QH-3/4	
	G1	G1	815	9545	QH-1	
	G11/2	G11/2	1750	6837	QH-11/2	